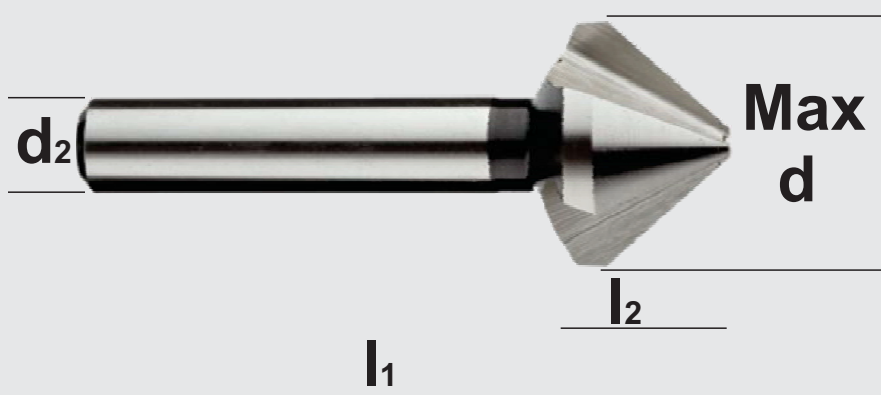


# FRAISE / COUNTERSINK



**HSS**

**G154**  
**82°**

**G136**  
**90°**

MAX d	ÉQUIVALENCE EN FRACTION	MIN d	l <sub>2</sub>	l <sub>1</sub>	d <sub>2</sub>	CODE 82° G154	CODE 90° G136	NOTRE PRIX
6.3mm	(1/4)	1.5mm	5.5mm	45mm	5mm	0149348	0108703	\$ 19.90
8.3mm	(5/16)	2.0mm	6.5mm	50mm	6mm	0149355	0108741	\$ 19.90
10.4mm	(3/8)	2.5mm	7.6mm	50mm	6mm	0149362	0108512	\$ 22.20
12.4mm	(1/2)	2.8mm	8.5mm	56mm	8mm	0149379	0108536	\$ 32.60
16.5mm	(5/8)	3.2mm	10.5mm	60mm	10mm	0149386	0108567	\$ 44.00
20.5mm	(3/4)	3.5mm	13.0mm	63mm	10mm	0149393	0108581	\$ 58.70
25.0mm	(1)	3.8mm	15.5mm	67mm	10mm	0149409	0108604	\$ 106.50